



DESCRIPTION:

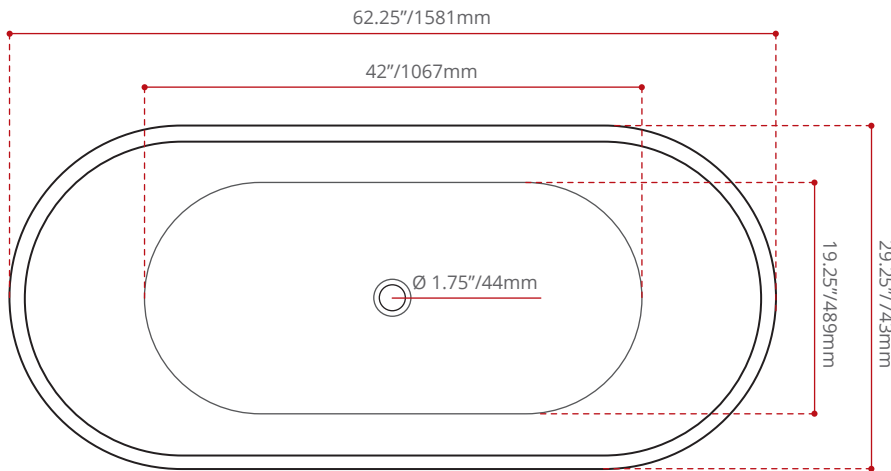
- Contemporary style.
- High gloss / Crack-resistant acrylic.
- Integral slotted overflow & pop up drain included.
- Complies with CSA & IAPMO standards.

AVAILABLE OPTIONS:

- Exterior colours.

JETTING OPTIONS:

- Comfort warm system.
- For ease of installation use our Freestanding Faucet and Pump Allaire module -



WATER DEPTH

15" / 381mm

CAPACITY

63 gal.
240 litres of water

SHIPPING DIMENSIONS

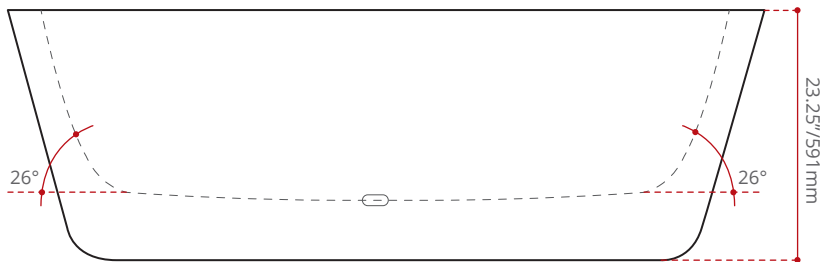
65 x 32 x 26" / 1651 x 813 x 660mm

NET WEIGHT

46 kg / 101 lbs

GROSS WEIGHT

60 kg / 132 lbs



Measurements may vary \pm 5mm
- Diagram NOT to scale -

